



# QUBE PLATFORM

QUBE PLATFORM LIFTS TECHNICAL SPECIFICATIONS BROCHURE

## AXESS2

# TECHNICAL INFORMATION:

## QUBE SMALL/MEDIUM

MODEL	QUBE SMALL	QUBE MEDIUM
Location	Indoor	Indoor / Outdoor*
Rated load	300 kg	400 kg / 500 kg
Travel height	Max 13 m	Max 13 m
Min.headroom at top landing	2250 mm	2250 mm
Pit depth without ramp	50 mm	50 mm
Platform/car sizes (W×D×H)	800×830/1000×830/ 1000×930/1100×930 mm	800×1217/900×1467/1000×1267/ 1100×1367/1000×1467/1100×1467/ 1100×1597/1000×1967 mm
Prefabricated shaft size (w×d)	1160×872/1360×872/1360×972/ 1460×972 mm	1160×1259/1260×1509/1360×1309/ 1460×1409/1360×1509/1460×1509/ 1460×1639/1360×2009 mm
Cut out sizes (w×d)	1200×993/1400×993/1400×1093/ 1500×1093 mm	1200×1380/1300×1630/1400×1430/ 1500×1530/1400×1630/1500×1630/ 1500×1760/1400×2130 mm
Max. number of stops	6	6
Travel speed (m/s)	Max 0.15 m/s	Max 0.15 m/s
Standard shaft	Steel panels off white RAL 9016	Steel panels off white RAL 9016
Door configuration	Single-entry, open through, adjacent	Single-entry, open through, adjacent
Doors	Swing doors or gates	Swing doors or gates
Clear door opening sizes (w×d)**	700/800/900×2000/2070 mm	700/750/800/850/900/950/1000/ 1050×2000/ 2070 mm
Clear door opening sizes, gate (w×h)**	700/800/900×1100 mm (A/C only)	700/750/800/900/1000×1100 mm
Drive system	Screw-driven with safety nut	Screw-driven with safety nut
Control system	Micro computer based system	Micro computer based system
Power supply	3×400/3×230/1×230 VAC	3×400/3×230/1×230 VAC
Rated motor power	2.2kW	2.2kW
Machine room	Integrated	Integrated
Complies with	EN 81-41 / MD 2006/42/EC	EN 81-41 / MD 2006/42/EC
Manufactured in	Sweden	Sweden

\* Outdoor equipment available for platform sizes 1000×1467 and 1100×1467 mm.

\*\* Standard clear opening (w×d), more available upon request. 2070 mm is the standard clear opening height of aluminium doors.



SMALL

MEDIUM

# TECHNICAL INFORMATION:

## QUBE LARGE

MODEL	QUBE LARGE
Location	Indoor
Rated load	1000 kg
Travel height	Max 13 m
Min.headroom at top landing	2300 mm
Pit depth without ramp	130 mm
Platform/car sizes (w × d × h)	1405×1980/1405×2480/1105×2180 mm
Prefabricated shaft size (w×d)	1825×2056/1825×2556/1525×2256 mm
Cut out sizes (w×d)	1895×2135/1895×2635/1595×2335 mm
Max. number of stops	6
Travel speed (m/s)	Max 0.15 m/s
Standard shaft	Steel panels off white RAL 9016
Door configuration	Single-entry, open through, adjacent
Doors	Swing doors
Clear door opening sizes (w×d)**	1300/1000×2000/2100 mm
Clear door opening sizes, gate (w×h)**	-
Drive system	Screw-driven with safety nut
Control system	Micro computer based system
Power supply	3×400/3×230 VAC
Rated motor power	4.0kW
Machine room	Integrated
Complies with	MD 2006/42/EC
Manufactured in	Sweden



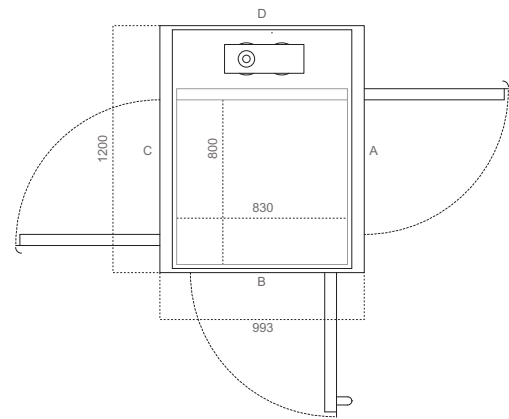
LARGE

# LIFT SIZES

## QUBE SMALL

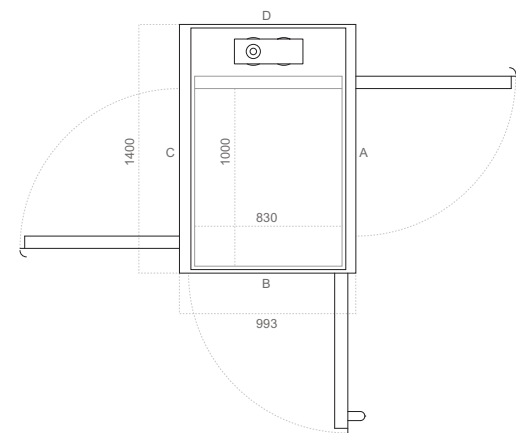
### QUBE SMALL OPTION 1

QUBE SMALL (W×D) MM		
Platform size	800×830	
Footprint	1160×872	
Cut out size	1200×993	
DOOR OPENING WIDTH MM		
Door Type	Side A/C	Side B
A10/A20 (steel)	700	700
AL5/AL6 (aluminium)	700	/
EI60/EI60G (fire rated)	700	/
A15/A25 (gate)	700	/



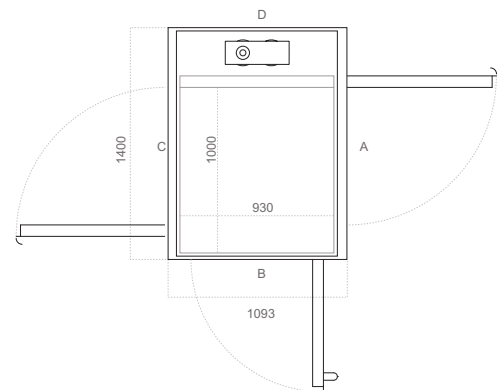
### QUBE SMALL OPTION 2

QUBE SMALL (W×D) MM		
Platform size	1000×830	
Footprint	1360×872	
Cut out size	1400×993	
DOOR OPENING WIDTH MM		
Door Type	Side A/C	Side B
A10/A20 (steel)	900	700
AL5/AL6 (aluminium)	900	/
EI60/EI60G (fire rated)	900	/
A15/A25 (gate)	900	/



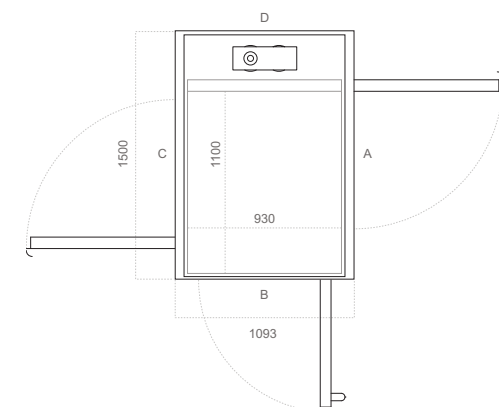
### QUBE SMALL OPTION 3

QUBE SMALL (W×D) MM		
Platform size	1000×930	
Footprint	1360×972	
Cut out size	1400×1093	
DOOR OPENING WIDTH MM		
Door Type	Side A/C	Side B
A10/A20 (steel)	900	800
AL5/AL6 (aluminium)	900	/
EI60/EI60G (fire rated)	900	/
A15/A25 (gate)	900	/



### QUBE SMALL OPTION 4

QUBE SMALL (W×D) MM		
Platform size	1100×930	
Footprint	1460×972	
Cut out size	1500×1093	
DOOR OPENING WIDTH MM		
Door Type	Side A/C	Side B
A10/A20 (steel)	900	800
AL5/AL6 (aluminium)	900	/
EI60/EI60G (fire rated)	900	/
A15/A25 (gate)	900	/

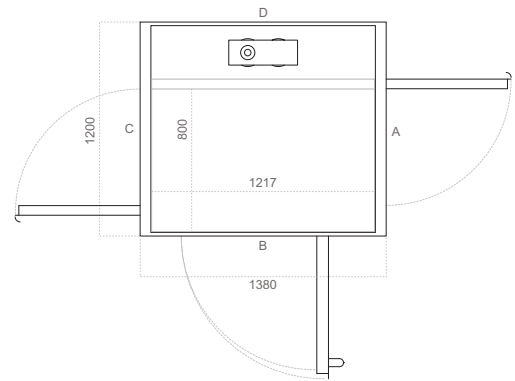


# LIFT SIZES

## QUBE MEDIUM

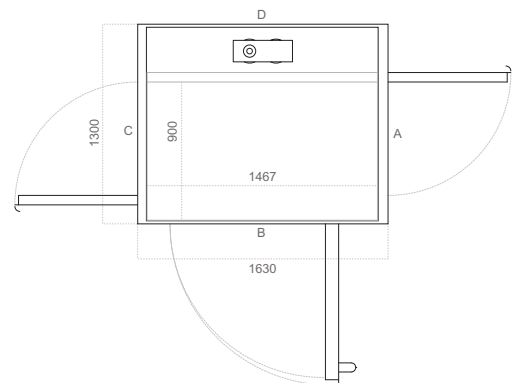
### QUBE MEDIUM OPTION 1

QUBE MEDIUM (W×D) MM		
Platform size	800×1217	
Footprint	1160×1259	
Cut out size	1200×1380	
DOOR OPENING WIDTH MM		
Door Type	Side A/C	Side B
A10/A20 (steel)	700	750
AL5/AL6 (aluminium)	700	800
EI60/EI60G (fire rated)	700	750
A15/A25 (gate)	700	750



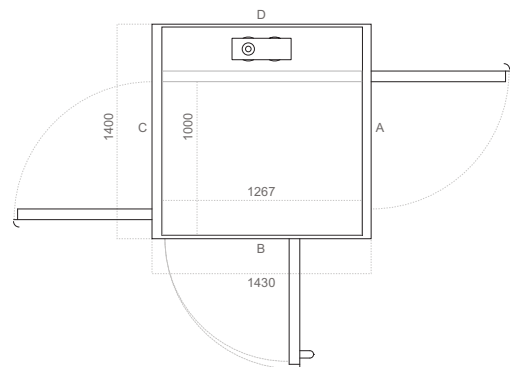
### QUBE MEDIUM OPTION 2

QUBE MEDIUM (W×D) MM		
Platform size	900×1467	
Footprint	1260×1509	
Cut out size	1300×1630	
DOOR OPENING WIDTH MM		
Door Type	Side A/C	Side B
A10/A20 (steel)	800	1000
AL5/AL6 (aluminium)	800	1050
EI60/EI60G (fire rated)	800	1000
A15/A25 (gate)	800	1000



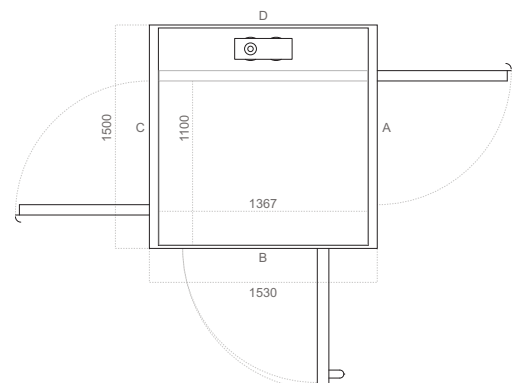
### QUBE MEDIUM OPTION 3

QUBE MEDIUM (W×D) MM		
Platform size	1000×1267	
Footprint	1360×1309	
Cut out size	1400×1430	
DOOR OPENING WIDTH MM		
Door Type	Side A/C	Side B
A10/A20 (steel)	900	800
AL5/AL6 (aluminium)	900	850
EI60/EI60G (fire rated)	900	800
A15/A25 (gate)	900	800



### QUBE MEDIUM OPTION 4

QUBE MEDIUM (W×D) MM		
Platform size	1100×1367	
Footprint	1460×1409	
Cut out size	1500×1530	
DOOR OPENING WIDTH MM		
Door Type	Side A/C	Side B
A10/A20 (steel)	900	900
AL5/AL6 (aluminium)	900	950
EI60/EI60G (fire rated)	900	900
A15/A25 (gate)	900	900

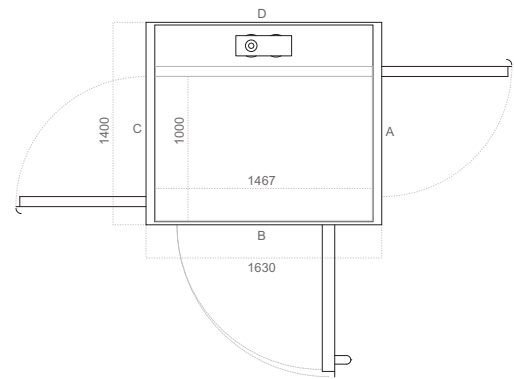


# LIFT SIZES

## QUBE MEDIUM

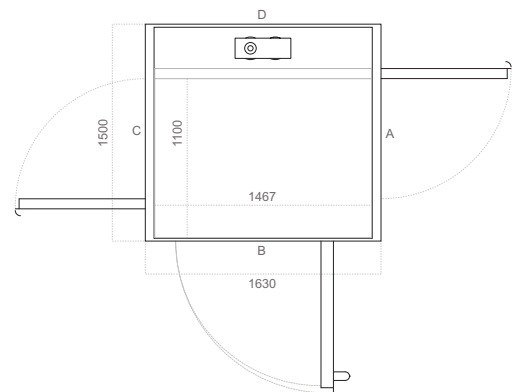
### QUBE MEDIUM OPTION 5

QUBE MEDIUM (W×D) MM		
Platform size	1000×1467	
Footprint	1360×1509	
Cut out size	1400×1630	
DOOR OPENING WIDTH MM		
Door Type	Side A/C	Side B
A10/A20 (steel)	900	1000
AL5/AL6 (aluminium)	900	1050
EI60/EI60G (fire rated)	900	1000
A15/A25 (gate)	900	1000



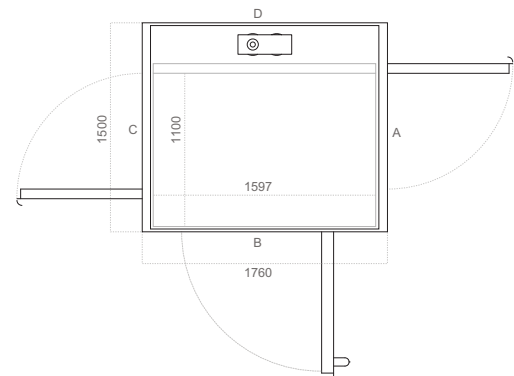
### QUBE MEDIUM OPTION 6

QUBE MEDIUM (W×D) MM		
Platform size	1100×1467	
Footprint	1460×1509	
Cut out size	1500×1630	
DOOR OPENING WIDTH MM		
Door Type	Side A/C	Side B
A10/A20 (steel)	900	1000
AL5/AL6 (aluminium)	900	1050
EI60/EI60G (fire rated)	900	1000
A15/A25 (gate)	900	1000



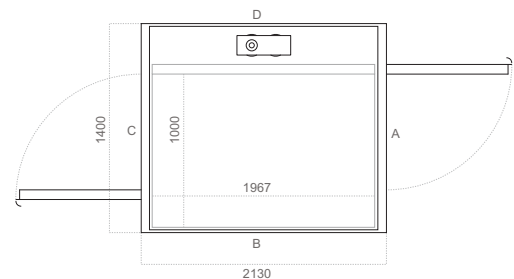
### QUBE MEDIUM OPTION 7

QUBE MEDIUM (W×D) MM		
Platform size	1100×1597	
Footprint	1460×1639	
Cut out size	1500×1760	
DOOR OPENING WIDTH MM		
Door Type	Side A/C	Side B
A10/A20 (steel)	900	1000
AL5/AL6 (aluminium)	900	/
EI60/EI60G (fire rated)	900	1000
A15/A25 (gate)	900	/



### QUBE MEDIUM OPTION 8

QUBE MEDIUM (W×D) MM		
Platform size	1000×1967	
Footprint	1360×2009	
Cut out size	1400×2130	
DOOR OPENING WIDTH MM		
Door Type	Side A/C	Side B
A10/A20 (steel)	900	/
AL5/AL6 (aluminium)	900	/
EI60/EI60G (fire rated)	900	/
A15/A25 (gate)	900	/

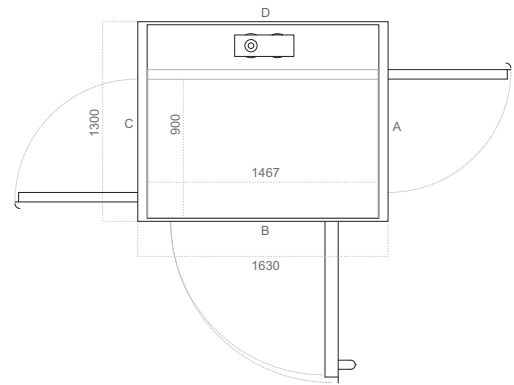


# LIFT SIZES

## QUBE HIGH BACK

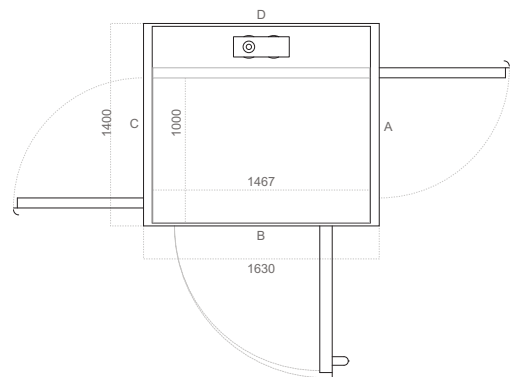
### QUBE HIGH BACK OPTION 1

QUBE HIGH BACK (W×D) MM		
Platform size	900×1467	
Footprint	1260×1509	
Cut out size	1300×1630	
DOOR OPENING WIDTH MM		
Door Type	Side A/C	Side B
A10/A20 (steel)	800	1000
AL5/AL6 (aluminium)	800	1050
EI60/EI60G (fire rated)	800	1000



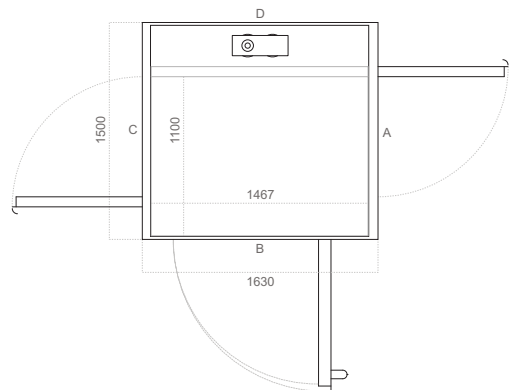
### QUBE HIGH BACK OPTION 2

QUBE HIGH BACK (W×D) MM		
Platform size	1000×1467	
Footprint	1360×1509	
Cut out size	1400×1630	
DOOR OPENING WIDTH MM		
Door Type	Side A/C	Side B
A10/A20 (steel)	900	1000
AL5/AL6 (aluminium)	900	1050
EI60/EI60G (fire rated)	900	1000



### QUBE HIGH BACK OPTION 3

QUBE HIGH BACK (W×D) MM		
Platform size	1100×1467	
Footprint	1460×1509	
Cut out size	1500×1630	
DOOR OPENING WIDTH MM		
Door Type	Side A/C	Side B
A10/A20 (steel)	900	1000
AL5/AL6 (aluminium)	900	1050
EI60/EI60G (fire rated)	900	1000

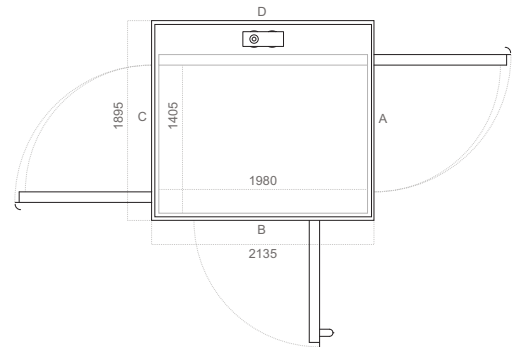


# LIFT SIZES

## QUBE LARGE

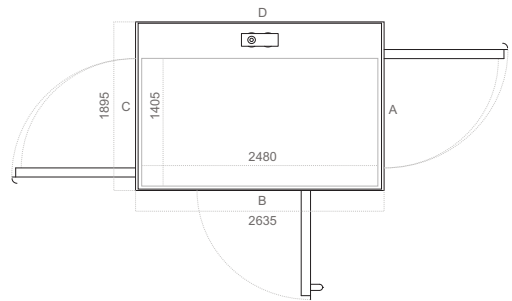
### QUBE LARGE OPTION 1

QUBE HIGH BACK (W×D) MM		
Platform size	1405×1980	
Footprint	1825×2056	
Cut out size	1895×2135	
DOOR OPENING WIDTH MM		
Door Type	Side A/C	Side B
A40 (steel)	1300	1300
EI60 (fire rated)	1200	/



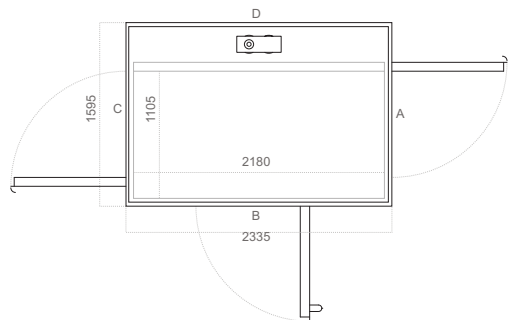
### QUBE LARGE OPTION 2

QUBE HIGH BACK (W×D) MM		
Platform size	1405×2480	
Footprint	1825×2556	
Cut out size	1895×2635	
DOOR OPENING WIDTH MM		
Door Type	Side A/C	Side B
A40 (steel)	1300	1300
EI60 (fire rated)	1200	/



### QUBE LARGE OPTION 3

QUBE HIGH BACK (W×D) MM		
Platform size	1105×2180	
Footprint	1525×2256	
Cut out size	1595×2335	
DOOR OPENING WIDTH MM		
Door Type	Side A/C	Side B
A40 (steel)	1000	1000
EI60 (fire rated)	1000	/
EI60G (fire rated)	1000	/



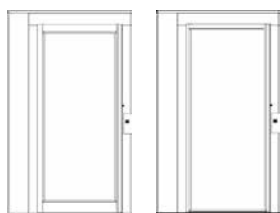
Cut out sizes above can only apply to our prefabricated shaft, the exact cut out sizes vary depending on the configuration of the lift and site specifications, please consult your local dealer or distributor for more information.



# DOOR MODELS

## QUBE SMALL & MEDIUM

DOOR GLAZING IN LAMINATED AND TEMPERED SAFETY GLASS.



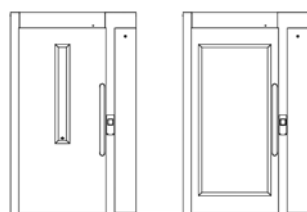
AL5 AL6

Doors in natural, anodized aluminium with panoramic glazing.



A15 A25

Gates with or without glass.



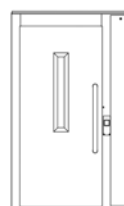
A10 A20

Steel doors with a small vision panel or panoramic.



A0

Steel door without glass. For private settings only.



EI60

Fire rated door with small vision panel (EI60) or panoramic (EI60G).



EI60G

DOORS FOR QUBE SMALL AND MEDIUM								
Door model	A20	A10/A0	AL5***	AL6***	EI60*	EI60G*	A25***	A15***
Door type	Swing door	Swing door	Swing door	Swing door	Swing door	Swing door	Swing door	Swing door
Material	Steel	Steel	Steel	Steel	Steel	Steel	Steel	Steel
Standard finish	RAL 9016	RAL 9016	Natural alum.	Natural alum.	RAL	RAL	RAL	RAL
Glass W×H mm**	715×1573	90×1010/0	775×1835	825×1998	75×800	700×1563	710×710	N/A
Concealed opener	Option	Option	Option	Option	N/A	N/A	Option	Option
Ext. fitted opener	/	/	/	/	Option	Option	/	/
Customised W×H	Yes	Yes	Yes	Yes	Yes	Yes	Yes	Yes

\* Fire rated EI60 according to standard EN 81-58. Fire rated doors must always be combined with a site-built shaft with equivalent/superior fire rating, depending on your local regulations.

\*\* Glass dimensions for doors/gates with a clear opening of 900×2000/1100 mm, 900×2070 mm for the AL5/AL6 doors.

\*\*\* Not available for side B on the Qube Small.

# DOOR MODELS

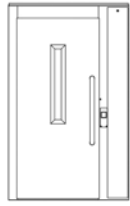
## QUBE LARGE

DOOR GLAZING IN LAMINATED AND TEMPERED SAFETY GLASS.

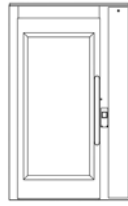


A40

Steel door with panoramic glazing.



EI60



EI60G

Fire rated door with small vision panel (EI60) or panoramic (EI60G).

### DOORS FOR QUBE LARGE

Door model	A20	A10/A0	AL5***
Door type	Swing door	Swing door	Swing door
Material	Steel	Steel	Steel
Standard finish	RAL 9016	RAL 9016	Natural alum.
Glass W×H mm **	715×1573	90×1010/0	775×1835
Concealed opener	Option	Option	Option
Ext. fitted opener	/	/	/
Customised W×H	Yes	Yes	Yes

\*Fire rated EI60 according to standard EN 81-58. EI60G only for platform size 1105×2180. Fire rated doors must always be combined with a site-built shaft with equivalent/superior fire rating, depending on your local regulations.

\*\*Glass dimensions for doors of standard dimensions side A/C.

# CONFIGURATIONS

## EXAMPLES OF DIFFERENT CONFIGURATIONS



Gate, open through.  
2 landings.



Gate, adjacent,  
2 landings.



Gate, single entry,  
2 landings.



Full height doors, single entry.  
2 landings.



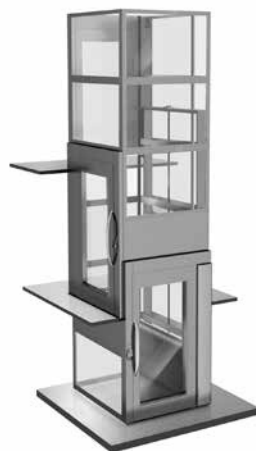
Full height doors, open through.  
2 landings.



Full height doors, adjacent.  
2 landings.



Full height doors, open through.  
3 landings.



Full height doors, adjacent,  
open through. 3 landings



Full height doors, single entry.  
3 landings.



# AXESS2

HOME & COMMERCIAL LIFTS

AXESS 2 LIMITED,  
UNIT 7 DEANFIELD DRIVE  
LINK 59 BUSINESS PARK  
CLITHEROE, LANCASHIRE, BB7 1QJ

01200 405005  
INFO@AXESS2.CO.UK

**[WWW.AXESS2.CO.UK](http://WWW.AXESS2.CO.UK)**